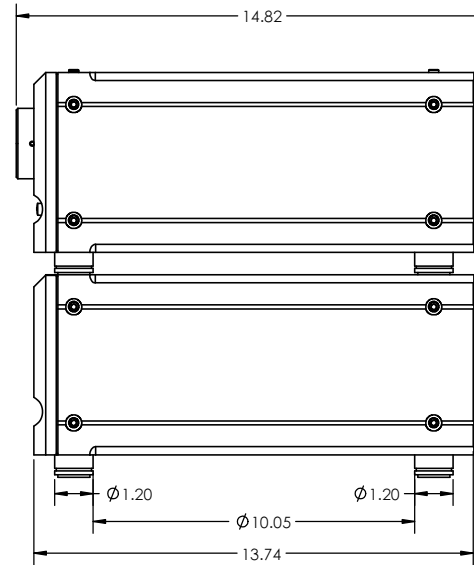
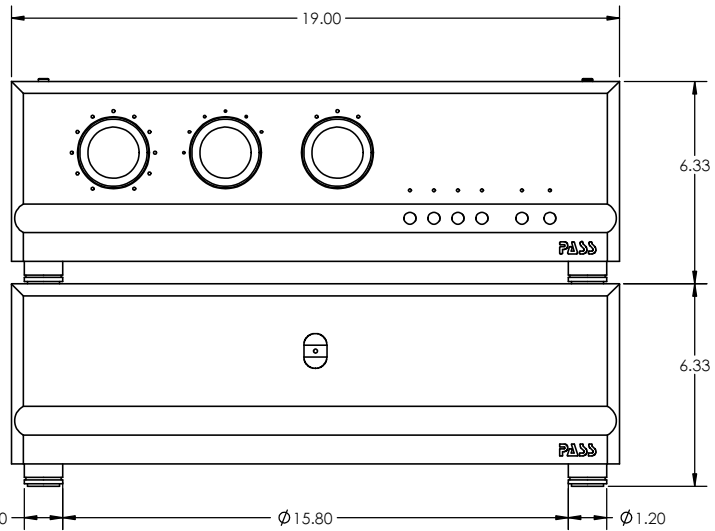
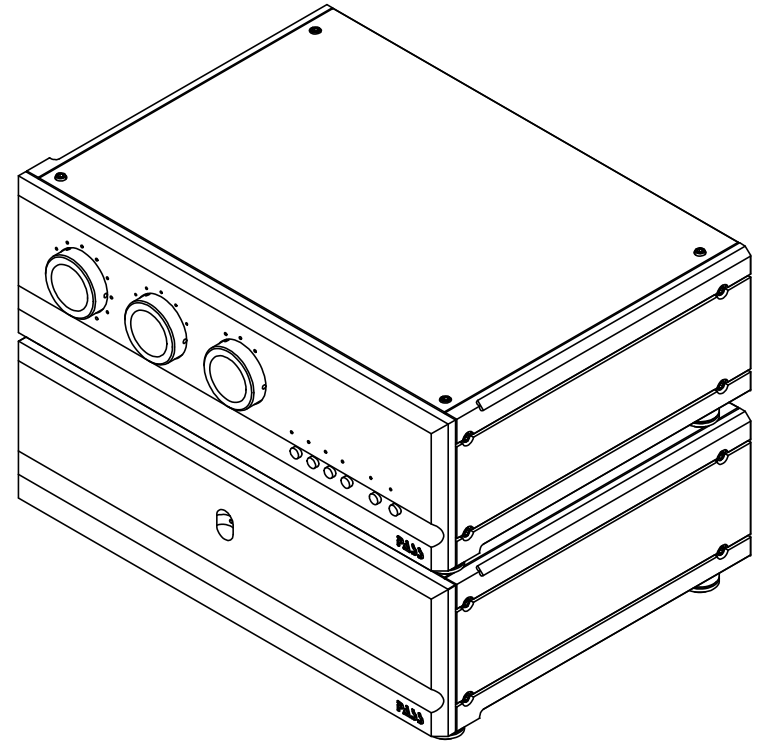


SCALE 1 : 3



PASS	DRAWN	NAME	DATE	PROJECT:	
	DH		7/1/2015		
UNLESS OTHERWISE SPECIFIED:				TITLE:	
DIMENSIONS ARE IN INCHES				SIZE:	
TOLERANCES:				DWG. NO.	
FRACTIONS: X.XX; ± 0.01, X.XXX; ± 0.005				C Xs Phono stack	
MATERIAL:				SCALE: 1:4	
FINISH:				SHEET 1 OF 1	
PASS LABORATORIES 13395 New Airport Rd. Suite G, Auburn, CA 95602 (530) 878-5350					