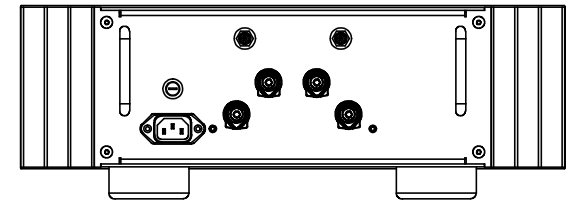
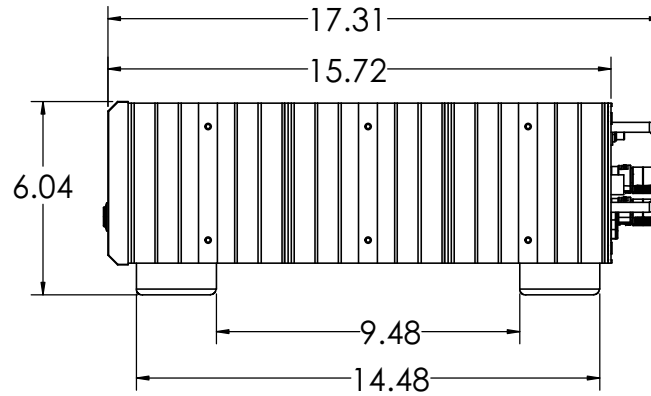
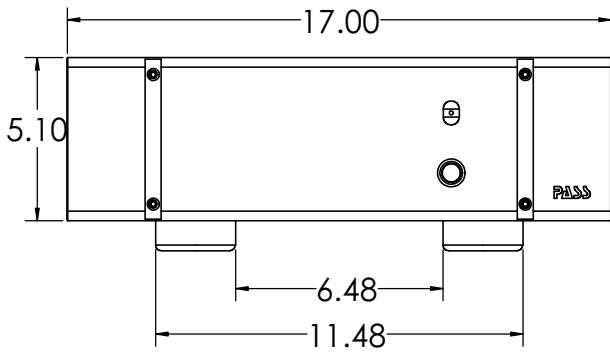


SCALE 1 : 2



PASS	DRAWN	NAME	DATE	PROJECT:
	DH		10/17/2016	
UNLESS OTHERWISE SPECIFIED:				TITLE:
DIMENSIONS ARE IN INCHES				
TOLERANCES:				
FRACTIONS: ± 0.5, XX; ± 0.01, XXX; ± 0.005				SIZE: DWG. NO.
MATERIAL:				C XA25
FINISH:				SCALE: 1:4 SHEET 1 OF 1
PASS LABORATORIES 13395 New Airport Rd. Suite G Auburn, CA 95602 (530) 878-5350				