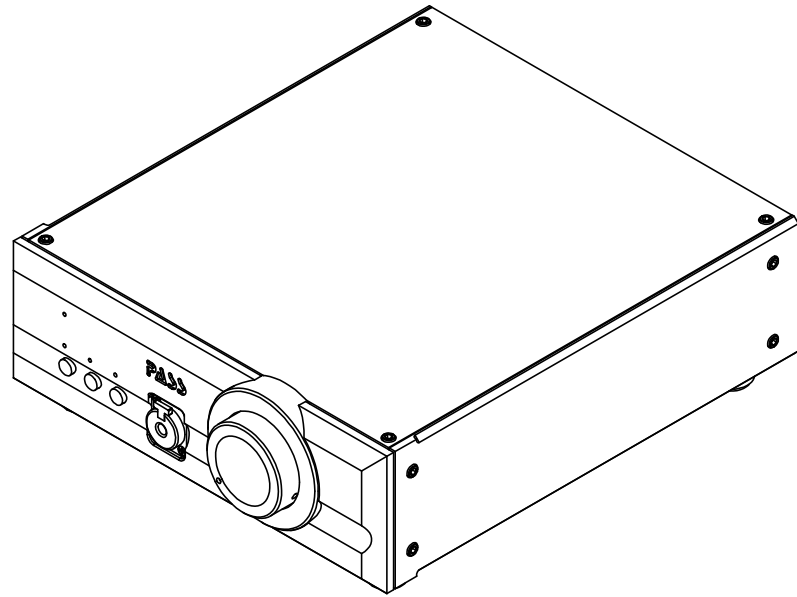
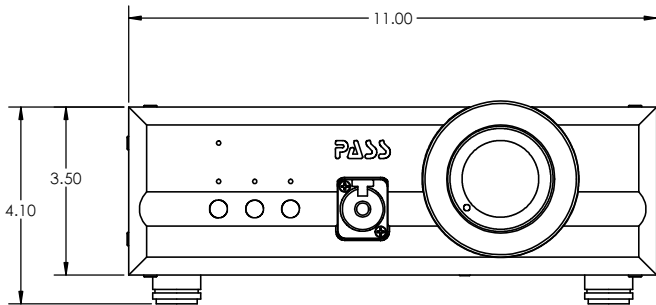


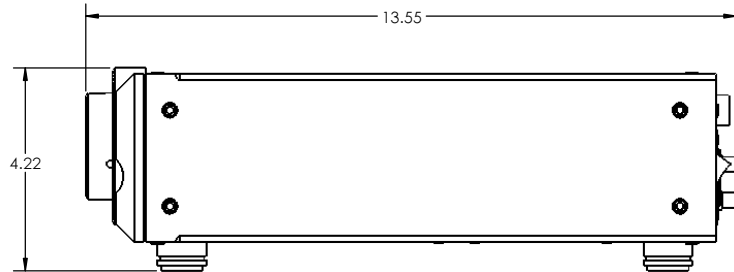
SCALE 1 : 2



SCALE 1 : 2



SCALE 1 : 2



SCALE 1 : 2

	DRAWN	NAME	DATE	PROJECT:	
	DH		4/21/2016		
	UNLESS OTHERWISE SPECIFIED:			TITLE:	
	DIMENSIONS ARE IN INCHES TOLERANCES: FRACTIONS ± 0.5, XX: ± 0.01, XXX: ± 0.005			HPA-1	
PASS LABORATORIES 13395 New Airport Rd. Suite G, Auburn, CA 95602 (530) 878-5350			MATERIAL:		
			FINISH:		
			SIZE:	DWG. NO.	
			C	HPA-1	
			SCALE: 1:4	SHEET 1 OF 1	